

TPS78227DDCR Texas Instruments

As a professional China TPS78227DDCR Texas Instruments manufacture, you can rest assured to buy TPS78227DDCR Texas Instruments from our factory. TPS78227DDCR Texas Instruments is an ultra-low-power small low-voltage regulator chip designed and developed by Texas Instruments (TI), the world's largest chip supplier. Electronics that can act on most battery-powered systems, such as smartphones, MP3, AND MSP430 series add-on applications. For more information on electronic components, please contact us!!! Welcome new and old customers to continue to cooperate with XT-ShenZhen® to create a better future together!

TPS78227DDCR Texas Instruments is an ultra-low-power small low-voltage regulator chip designed and developed by Texas Instruments (TI), the world's largest chip supplier. Electronics that can act on most battery-powered systems, such as smartphones, MP3, AND MSP430 series add-on applications. You are welcomed to come to XT-ShenZhen® to buy the latest selling, low price, and high-quality products. We look forward to cooperating with you.

Product description

The TPS78227DDCR Texas Instruments low-dropout regulator (LDO) offers the benefits of ultra-low power consumption and miniaturized packages. The LDO is designed for battery-powered applications where ultra-low quiescent current is a key parameter.

With an ultra-low IQ (500nA), the TPS78227DDCR Texas Instruments is ideal for microprocessors, microcontrollers, and other battery-powered applications. Ultra-low-power and miniaturized packages allow designers to tailor power consumption to specific applications. The TPS78227DDCR Texas Instruments is designed to be compatible with TI MSP430 and other similar products. Enables pin (EN) compatibility with standard CMOS logic. Due to the miniaturized package and potentially small output capacitors, the device achieves minimal board space°. The TPS78227DDCR Texas Instruments also features thermal shutdown and current limiting to protect the device during fault conditions. The package operates over the T-40 to 125°C temperature range.

Product features

- Low IQ: 500 nA
- 150mA, low dropout regulator
- Input voltage range: 2.2 V to 5.5 V
- Low dropout voltage at 25°C, 130 mV at 150 mA

Shenzhen Zhen Rong Era Supply Chain Management Co., Ltd.

Tel: +86-755-83240078

E-mail: jack-sellandbuycomponents@xt-shenzhen.cn

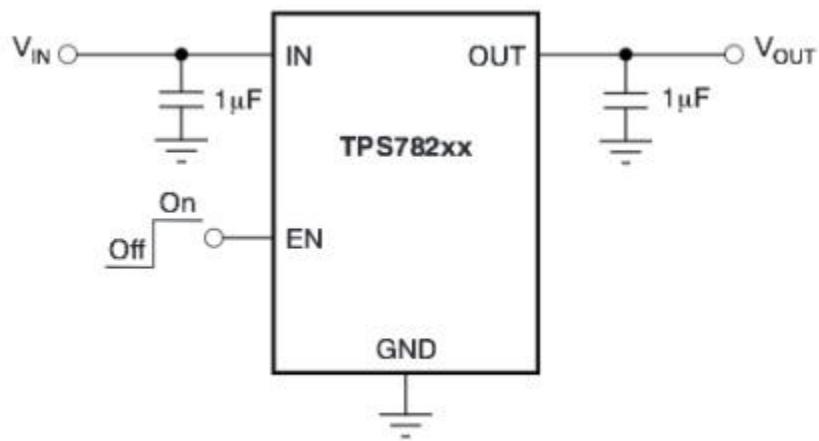
Phone: +86-13927462033

- Low dropout voltage at 85°C, 175 mV at 150 mA
- 3% load, line and temperature accuracy
- Stable with 1.0-μF ceramic capacitors
- Thermal shutdown and overcurrent protection
- CMOS logic level compatible enable pin
- Available in DDC (TSOT23-5) or DRV (2-mm x 2-mm SON-6) package

Product parameters

Technical parameters	Rated power	500mW
	Output voltage (Min).	2.7V
	Output current	150mA
	Input voltage (Max).	5.5V
	Input voltage (Min).	2.2V
	Number of pins	5
	Drop voltage	0.13V@150mA
	Operating temperature	-40°C—85°C
	encapsulation	TSOT-23-5
	Packaging	Tape & Reel (TR)

Product images



FAQ

Q: Where is your company?

A: Our company is registered in Shenzhen, China.

Q: How long do you need to give me a quote?

A: On weekdays, after receiving your information, a quote will be sent to you within the same day.

Q: How do you pack your goods?

A: Each of our shipments is vacuum vacuumed and packed. Make sure there is no damage during shipping.